

XR Convection Heater

The Norseman™ XR Series explosion-proof natural convection heater is the latest addition to the Norseman™ line of hazardous location heating products and the first to come with a NEMA 7 & 9 aluminum exterior Defender™ thermostat. The Norseman™ XR heater is available from 50 to 425 watts, and rated as either T2D or T3B for Class 1, Division 1 & 2, group C & D.

This low maintenance heater is available in several sizes, wattages and voltages and is primarily intended for freeze protection in control enclosures or confined areas where heat required is minimal, but essential. Standard with this heater are an adjustable thermostat, protection grill, mounting brackets and hardware.

Applications

The Norseman™ XR is designed specifically for heating industrial spaces where potentially explosive substances are or may be present. Typical hazardous location environments include:

- control cabinets and small enclosures
- storage rooms for paints and cleaners
- spray booths
- gas plants
- pump houses
- marine and offshore
- oil platforms
- cleaning and dyeing plants

Selection of Temperature Code

Refer to the atmospheric condition table (TABLE 2) at the beginning of this catalog for detailed selection data for the temperature code.

To minimize cost and physical size of the heater, select the heater with the highest temperature code that suits the environment. See TABLE 12.

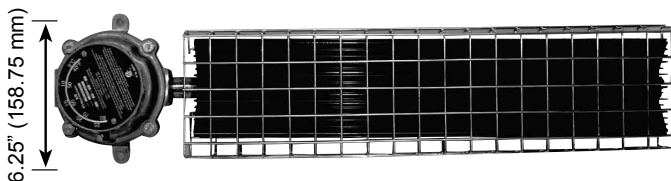


Figure 12 Norseman™ XR Front View

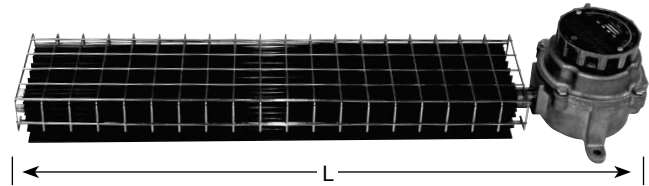


Figure 13 Norseman™ XR Side View
(Refer to TABLE 12)

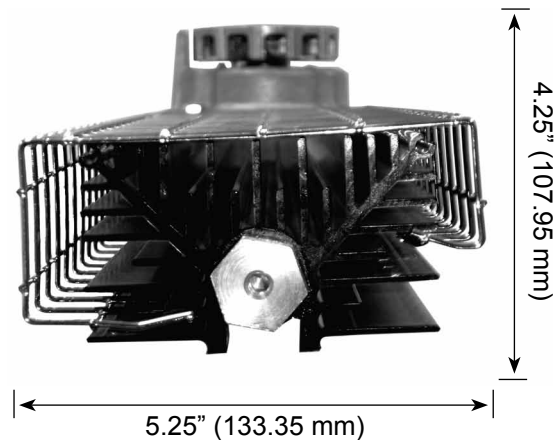


Figure 14 Norseman™ XR Top View
(Without Mounting Bracket)

Thermostat Construction

The Norseman™ XR explosion-proof convection heaters come equipped with an all-aluminum exterior Defender® thermostat with no breakable external plastic parts. These heavy-duty thermostats are the smallest, lightest and most durable thermostats available for demanding industrial applications.

Other Features:

- no exposed copper or brass
- corrosion resistant, suitable for H₂S environments
- CFC & mercury free
- bi-metal sensing switch
- no delicate coils or bellows

XR

TABLE 12 Norseman™ XR Explosion-Proof Convection Heater Specifications for T2D & T3B Units - Hazardous Location Rating Class 1, Division 1, 2 Groups C & D

Watts	Volts	Phase	'L' Dim. in (mm)	Approx. Weight lbs (kg)	Catalogue No.
50	120	1	11.625 (295)	10 (4.5)	XR1-1005T2D
75	120	1	11.625 (295)	10 (4.5)	XR1-1007T3B
100	120	1	11.625 (295)	10 (4.5)	XR1-1010T2D
125	120	1	11.625 (295)	10 (4.5)	XR1-1012T2D
	208				
125	120	1	18.3125 (465)	15 (6.8)	XR1-3012T3B
	208				
	240				
175	120	1	25 (635)	20 (9.1)	XR1-4017T3B
	208				
	240				
200	120	1	18.3125 (465)	15 (6.8)	XR1-3020T2D
	208				
	240				
250	120	1	31.6875 (805)	25 (11.3)	XR1-6025T3B
	208				
	240				
300	120	1	25 (635)	20 (90.1)	XR1-4030T2D
	208				
	240				
425	120	1	31.6875 (805)	25 (11.3)	XR1-6042T2D
	208				
	240				

Additional Standard Features

- suitable for temperature codes T2D & T3B (see model #)
- high surface area black anodized heat emitter with integral tubular heating elements
- nickel plated wire guards on all models
- universal 11-gauge stainless steel wall mounting brackets
- built-in externally adjustable bimetal thermostat
- heater can be used to control the ambient temperature of the location where installed (this is based on an appropriate heat load calculation)

Model Coding

