

The QuikSILVER Oven



Electric Quartz Medium Wavelength

With its quick response capability, rapid heat-up and instantaneous cool down, the QuikSILVER oven allows for pinpoint control accuracy on heat sensitive substrates in continuous process finishing systems.

The Emitter:

- A reliable nickel chromium resistance coil housed in a quartz tube, non-vertical burn design.
- Platinum primary reflector providing a reflective power on par with pure gold and the superior durability that only platinum can offer.
- Manufactured in our DriQuik™ facility in Greensburg, Indiana.
- Offered in a variety of wattages:
 - 900W, 1000W in the BR30 series
 - 1000W, 1500W, 1800W, 2200W in the BR60 series
- Offered in a variety of voltages (for convenient series wiring):
 - 240V for 240-volt and 480-volt systems (one or two in series)
 - 300V for 600-volt system (two in series)
- Emitter temperatures to 927°C (1700°F), within the medium wavelength range.

QuikSILVER Oven

The Heater Section:

- “Dual Reflector” system, as the emitters - with the built-in primary platinum-backed reflector - are mounted within a bright-annealed stainless steel secondary reflector, enabling virtually all the medium wavelength infrared energy to be efficiently utilized.
- Offered in two reflector sizes:
 - 15” x 30” (381 mm x 762 mm) (BR30 series)
 - 15” x 60” (381 mm x 1524 mm) (BR60 series)
- Modular industrial heater sections comprised of multiple emitters; two, four or six emitters per section.
- Reflector and emitter assembly mounted within a formed steel housing, which is finished in a durable textured polyester powder coat.
- Standard front-loading design for convenient access, including the “quik-snap” emitter-mounting feature for easy maintenance.
- Includes a stainless steel mesh guard, protecting the quartz tubes without affecting the transfer efficiency of the medium-wave infrared to the substrate.

The Oven System:

- Custom configurations utilizing an array of standard modular heater sections profiled to the specific process and/or application.
- Standard features include powder coated U-channel type support frame, engineered exhaust collection and appropriate closure panels.
- Customized features available upon request or as the process dictates.
- Includes a user-friendly control package with all required components for safe and efficient operation of the oven system (see page 20 for complete explanation of the many QuikCOMMAND features).

The Uses and Benefits:

- The even heat patterning, produced through the tubular-shaped emitters and dual reflector system, makes the QuikSILVER oven popular on heat sensitive substrates such as those found in the automotive industry on interior/exterior plastic components and in the woodworking industry on fine wood cabinet doors.
- Most effective in applications requiring surface temperatures in the 49°C to 163°C (120°F to 325°F) range, such as various wet coat finish systems, particularly on wood and plastic substrates.
- Instant on/off response times makes the QuikSILVER oven “substrate friendly”, with no fear of heat damage to the product during line stoppages.
- The quick response of the QuikSILVER oven system also allows for “user friendly” state-of-the-art control capability.

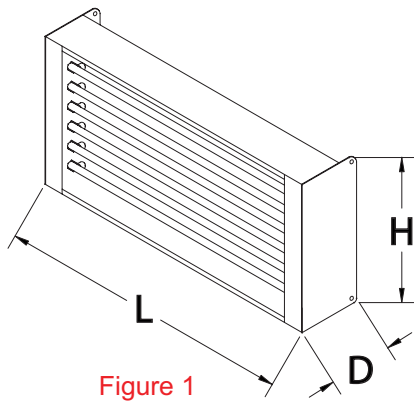


Figure 1

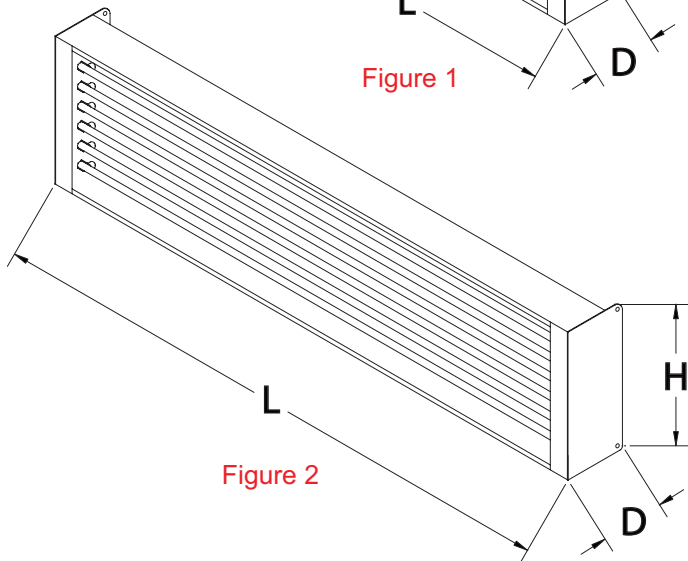


Figure 2

The Heater Specifications:

Part No.	Series	Input (kW)	Size - in (mm)			Figure No.
			H	L	D	
BR30-900QT(2)	BR	1.8	15 (381)	30 (762)	6.5 (165)	1
BR30-900QT(4)	BR	3.6	15 (381)	30 (762)	6.5 (165)	1
BR30-900QT(6)	BR	5.4	15 (381)	30 (762)	6.5 (165)	1
BR30-1000QT(2)	BR	2.0	15 (381)	30 (762)	6.5 (165)	1
BR30-1000QT(4)	BR	4.0	15 (381)	30 (762)	6.5 (165)	1
BR30-1000QT(6)	BR	6.0	15 (381)	30 (762)	6.5 (165)	1
BR60-1000QT(2)	BR	2.0	15 (381)	60 (1524)	6.5 (165)	2
BR60-1000QT(4)	BR	4.0	15 (381)	60 (1524)	6.5 (165)	2
BR60-1000QT(6)	BR	6.0	15 (381)	60 (1524)	6.5 (165)	2
BR60-1500QT(2)	BR	3.0	15 (381)	60 (1524)	6.5 (165)	2
BR60-1500QT(4)	BR	6.0	15 (381)	60 (1524)	6.5 (165)	2
BR60-1500QT(6)	BR	9.0	15 (381)	60 (1524)	6.5 (165)	2
BR60-1800QT(2)	BR	3.6	15 (381)	60 (1524)	6.5 (165)	2
BR60-1800QT(4)	BR	7.2	15 (381)	60 (1524)	6.5 (165)	2
BR60-1800QT(6)	BR	10.8	15 (381)	60 (1524)	6.5 (165)	2
BR60-2200QT(2)	BR	4.4	15 (381)	60 (1524)	6.5 (165)	2
BR60-2200QT(4)	BR	8.8	15 (381)	60 (1524)	6.5 (165)	2
BR60-2200QT(6)	BR	13.2	15 (381)	60 (1524)	6.5 (165)	2

Note:

208V, 240V, 480V and 600V are the standard available voltages.

QuikSILVER Oven