

RGE Regular Duty Air Heaters

The Ruffneck™ RGE unit heater is designed by CCI Thermal for use in regular duty industrial and commercial space heating applications. This heater features CCI Thermal's robust design which surpasses the standards of most competitive models.



2-10 kW UNIT
WITH 5 LOUVRES.
UNITS OVER 10 kW
HAVE 7 LOUVRES.

IN CANADA THESE UNITS
ARE MARKETED UNDER THE
CALORITECH™ BRAND NAME.

Features:

- CSA C/US approved for horizontal air flow
- 2 kW to 40 kW output
- 208V to 600V
- field convertible from 1 to 3 phase
- tubular heating elements
- individually adjustable air flow louvers
- permanently lubricated motors
- overheat protection
- phosphate coated 18-gauge steel cabinet
- epoxy painted (ASA 61 Grey)
- optional thermostats and controls
- optional wall bracket
- motors mounted outside element bundle
- ceiling mounting bracket supplied standard

Motors

- 2-10 kW heaters are standard with dual rated motors: 208/240V single phase. Where necessary, transformers are used to provide proper motor voltage.
- 15-40 kW heaters are standard with single phase full voltage rated motors.
- standard motors have permanently lubricated bearings and built-in thermal overloads.
- totally enclosed ball bearing motors are standard.
- motor RPM: 1550 unless otherwise stated.
- motor HP:
 - 2 to 10 kW (1/20 HP)
 - 15 to 40 kW (1/10 HP)
 - other ratings available (check with the factory)

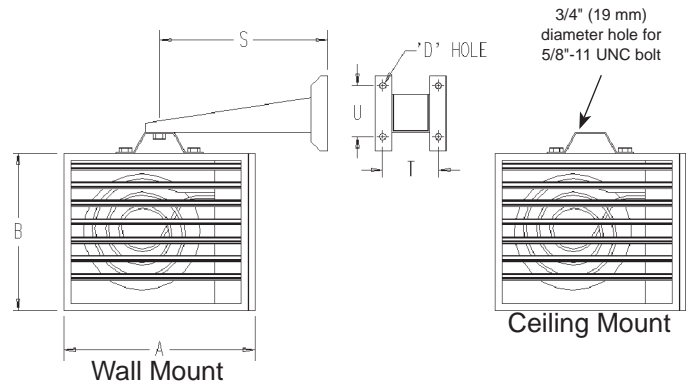
Contactors and Transformers

- Factory installed contactors are available when required.
- Transformers are standard when primary voltage is not suitable for motor operation or contactor coil ratings.
- Standard control voltage is 240V.

Mounting Brackets

(units supplied with ceiling mounting bracket as standard)

RWB210	Wall Mounting Bracket for 2-10 kW heaters
RWB1540	Wall Mounting Bracket for 15-40 kW heaters



Dimensions – in. (mm)

HEATER RATING kW	A	B	C DEPTH	D HOLE DIA.	S	T	U
2-10	17 (432)	14 (356)	15½ (394)	½ (13)	12½ (318)	4½ (114)	4½ (114)
15-40	24 (610)	19½ (495)	22 (559)	5/8 (16)	17½ (445)	6 (152)	6 (152)

Height & Weight

kW	NORMAL MOUNTING HEIGHT ft. (m)	SHIPPING WEIGHT lbs. (kg)
2-10	6 – 8 (1.8 – 2.4)	59 (24)
15-40	8 – 12 (2.4 – 3.0)	104 (47)

Applications

- factories
- warehouses
- parking garages
- boiler rooms
- arenas
- grandstands
- mechanical rooms
- shopping malls
- display areas
- stores



RGE Regular Duty Air Heater Specifications

kW (BTU/hr)	VOLTS	PHASE	CFM	TEMP. RISE F° (C°)	MOTOR VOLTS	CATALOG NUMBER			
						BASIC UNIT	BASIC UNIT WITH		
							CONTACTOR	THERMOSTAT (1-phase only)	CONTACTOR & THERMOSTAT
2 (6824)	208	1 or 3	460	14 (8)	208 / 240	RGE022	RGE022C	RGE022T	RGE022CT
	240	1 or 3	460	14 (8)	208 / 240	RGE023	RGE023C	RGE023T	RGE023CT
3 (10236)	208	1 or 3	465	21 (12)	208 / 240	RGE032	RGE032C	RGE032T	RGE032CT
	240	1 or 3	465	21 (12)	208 / 240	RGE033	RGE033C	RGE033T	RGE033CT
	600	1 or 3	465	21 (12)	208 / 240	RGE038	RGE038C	RGE038T	RGE038CT
4 (13648)	208	1 or 3	475	28 (16)	208 / 240	RGE042	RGE042C	RGE042T	RGE042CT
	240	1 or 3	475	28 (16)	208 / 240	RGE043	RGE043C	RGE043T	RGE043CT
	480	1 or 3	475	28 (16)	208 / 240	RGE047	RGE047C	RGE047T	RGE047CT
	600	1 or 3	475	28 (16)	208 / 240	RGE048	RGE048C	RGE048T	RGE048CT
5 (17060)	208	1 or 3	480	40 (22)	208 / 240	RGE052	RGE052C	RGE052T	RGE052CT
	240	1 or 3	480	40 (22)	208 / 240	RGE053	RGE053C	RGE053T	RGE053CT
	480	1 or 3	480	40 (22)	208 / 240	RGE057	RGE057C	RGE057T	RGE057CT
	600	1 or 3	480	40 (22)	208 / 240	RGE058	RGE058C	RGE058T	RGE058CT
7.5 (25590)	208	1 or 3	590	43 (24)	208 / 240	RGE072	RGE072C	—	RGE072CT
	240	1 or 3	590	43 (24)	208 / 240	RGE073	RGE073C	—	RGE073CT
	480	1 or 3	590	43 (24)	208 / 240	RGE077	RGE077C	—	RGE077CT
	600	1 or 3	590	43 (24)	208 / 240	RGE078	RGE078C	—	RGE078CT
10 (34120)	208	1 or 3	760	45 (25)	208 / 240	RGE102	RGE102C	—	RGE102CT
	240	1 or 3	760	45 (25)	208 / 240	RGE103	RGE103C	—	RGE103CT
	480	1 or 3	760	45 (25)	208 / 240	RGE107	RGE107C	—	RGE107CT
	600	1 or 3	760	45 (25)	208 / 240	RGE108	RGE108C	—	RGE108CT
15 (51180)	208	3	1040	50 (28)	208	RGE152	RGE152C	—	RGE152CT
	240	3	1040	50 (28)	240	RGE153	RGE153C	—	RGE153CT
	480	1 or 3	1040	50 (28)	480	RGE157	RGE157C	—	RGE157CT
	600	1 or 3	1040	50 (28)	600	RGE158	RGE158C	—	RGE158CT
20 (68240)	208	3	1260	55 (31)	208	RGE202	RGE202C	—	RGE202CT
	240	3	1260	55 (31)	240	RGE203	RGE203C	—	RGE203CT
	480	1 or 3	1260	55 (31)	480	RGE207	RGE207C	—	RGE207CT
	600	1 or 3	1260	55 (31)	600	RGE208	RGE208C	—	RGE208CT
25 (85300)	480	3	1500	61 (34)	480	RGE257	RGE257C	—	RGE257CT
	600	3	1500	61 (34)	600	RGE258	RGE258C	—	RGE258CT
30 (102360)	480	3	1500	70 (39)	480	RGE307	RGE307C	—	RGE307CT
	600	3	1500	70 (39)	600	RGE308	RGE308C	—	RGE308CT
40 (136480)	480	3	1500	80 (44)	480	RGE407	RGE407C	—	RGE407CT
	600	3	1500	80 (44)	600	RGE408	RGE408C	—	RGE408CT

Accessories for Field Installation:

- FAT 8 field installed built-in thermostat kit 41°F to 100°F (5°C to 38°C)
- RWB210 wall mount bracket (2–10 kW)
- RWB1540 wall mount bracket (15–40 kW)
- remote thermostats available

To Order Specify:

Catalog Number, Voltage, Phase, Kilowatts, Optional Features, Accessories

Optional Factory Installed Features:

- built-in thermostat 41°F to 100°F (5°C to 38°C)
- fused control circuit
- manual reset high limit
- “fan only” switch
- low voltage relay for remote 24V thermostat
- epoxy painted fan blade and motor
- special wattages and voltages
- special control voltages (240V is standard)
- available in special finishes.

Regular Duty Electric Unit Heaters Type RGE Specification Sheet

1.0 Scope

1.1 Regular duty electric unit heaters, Ruffneck™ model RGE, as manufactured by CCI Thermal Technologies Inc. complete with ratings and features as specified below.

2.0 Ratings

2.1 The heater(s) shall be of the regular duty, forced air type, catalog number _____, rated _____ V, _____ phase, _____ Hz, _____ kW.

2.2 The heater(s) shall be CSA C/US certified to the following standards:

- CSA C22.2 No. 46-M1988 Electric Air Heaters
- UL Standard 1025 Electric Air Heaters

3.0 Standard Features

3.1 Units rated 2 kW to 10 kW shall use stainless steel tubular heating elements; units rated 15 kW to 40 kW shall use finned tubular heating elements to transfer the heat.

3.2 Units shall be field convertible from 1 phase to 3 phase.

3.3 Heater cabinets shall be phosphate coated 20 gauge (2–10 kW) or 18 gauge (15–40 kW) steel and painted with ASA 61 grey epoxy for rust protection.

3.4 Heaters rated 2–10 kW shall have five (5) individually adjustable, extruded aluminum louvres to direct the outlet airflow. Heaters rated 15–40 kW shall use seven (7) louvres.

3.5 Motors shall be mounted outside of the element bundle and be of the totally enclosed type with permanently lubricated ball bearings and built-in thermal overloads with ratings as follows:

- For 2–10 kW heaters, motors shall be 1/20 HP, 1550 RPM dual rated 208/240V single phase. For heater voltages above 240V a transformer shall be included to provide the proper motor voltage.
- For 15–40 kW heaters, 1/10 HP, 1550 RPM, full voltage rated, single phase.

3.6 Standard control voltage shall be 240V. A built-in transformer shall be supplied when the primary voltage differs from the control voltage.

3.7 The heater shall be supplied with built-in overheat protection of the auto-reset, bimetal type.

3.8 The heater shall be supplied with ceiling mount brackets as standard.

3.9 All heaters shall have a ½" x ¾" multiple conduit knockout. Heaters rated 15–40 kW shall be provided with an additional 1" x 1¼" multiple conduit knockout.

3.10 Approximate heater dimensions and weights shall be as follows:

kW Rating	Height	Width	Depth	Weight
2–10 kW	14" (356 mm)	17" (432 mm)	15½" (394 mm)	59 lbs. (24 kg)
15–40 kW	19½" (495 mm)	24" (610 mm)	22" (559 mm)	104 lbs. (47 kg)

4.0 Optional Factory Installed Features

4.1 The following factory installed optional features (indicated with a check) shall be included:

- | | |
|--|---|
| <input type="checkbox"/> Built-in bulb and capillary thermostat, 41°F to 100°F (5°C to 38°C) | <input type="checkbox"/> Manual reset high limit |
| <input type="checkbox"/> Definite purpose magnetic contactor | <input type="checkbox"/> "Fan-only" switch |
| <input type="checkbox"/> Fused control circuit | <input type="checkbox"/> Low voltage relay for remote 24V control |
| | <input type="checkbox"/> Epoxy painted fan blade and motor |

5.0 Accessories for Field Installation

5.1 The following accessories (indicated with a check) shall be included with the unit for field installation:

- FAT 8 field installed built-in thermostat kit, 41°F to 100°F (5°C to 38°C)
- Wall mount bracket: RWB210 for units rated 2–10 kW; RWB1540 for units rated 15–40 kW.