



INSTALLATION, OPERATION, MAINTENANCE INSTRUCTIONS & SPARE PARTS LIST FOR TYPE XP EXPLOSION RESISTANT CONVECTION HEATER (For Use in Control Cabinets or Confined Spaces)

1.0 PRE-INSTALLATION

- 1.1 Initially, inspect the heater for possible damage due to shipping and handling. Claims for shipping damages shall be placed with the carrier.
- 1.2 Check the heater nameplate to ensure that the heater area classification and temperature code are suitable for the hazardous area classification.
- 1.3 Check to ensure that the heater voltage is the same as the supply voltage.

2.0 INSTALLATION

The heater must be installed by qualified personnel in strict compliance with the electrical code.

2.1 GENERAL

- 2.1.1 XP heaters are approved for wall or floor mounting either horizontally or vertically with the terminal housing at the bottom. Ensure that the wall is sufficiently strong to support the heater which, depending on the model, could weigh up to 10lbs.

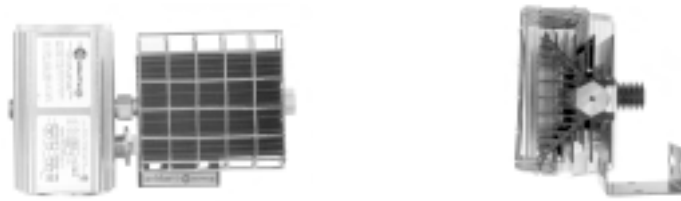


FIGURE 1. MODEL XP CONVECTION HEATER

- 2.1.2 Do not recess the XP heater into the wall. Use the bracket(s) supplied with the unit to ensure that the minimum spacing from the wall of 50mm (2") is maintained.
- 2.1.3 If more than one heater is being installed, maintain at least 76mm (3 in.) between adjacent heater extrusions. NEVER INSTALL ONE HEATER ABOVE THE OTHER.
- 2.1.4 The XP heater relies on natural convection and "black heat" radiation to transfer heat to the surroundings. Try to maintain a 76mm (3 in.) clearance and NEVER LESS THAN 50mm (2 in.) clearance in front of and at the sides of the heater.

2.2 MOUNTING BRACKET INSTALLATION

Refer to Figure 2 when installing the mounting bracket(s)

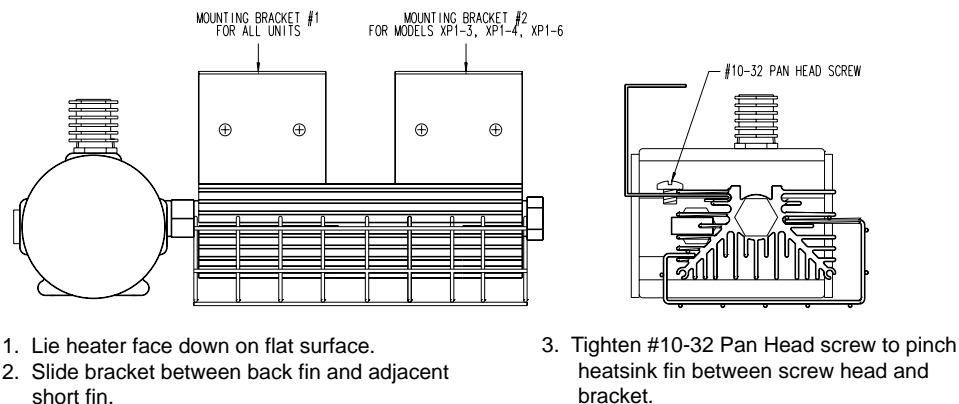
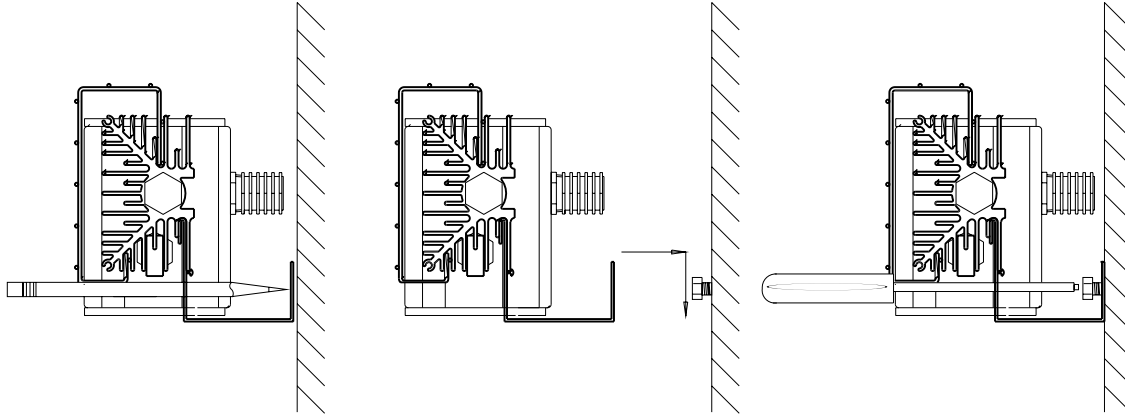


FIGURE 2. INSTALLATION OF MOUNTING BRACKET

2.0 INSTALLATION Cont'd

2.3 WALL MOUNTING

Refer to Figure 3 when wall mounting the heater.



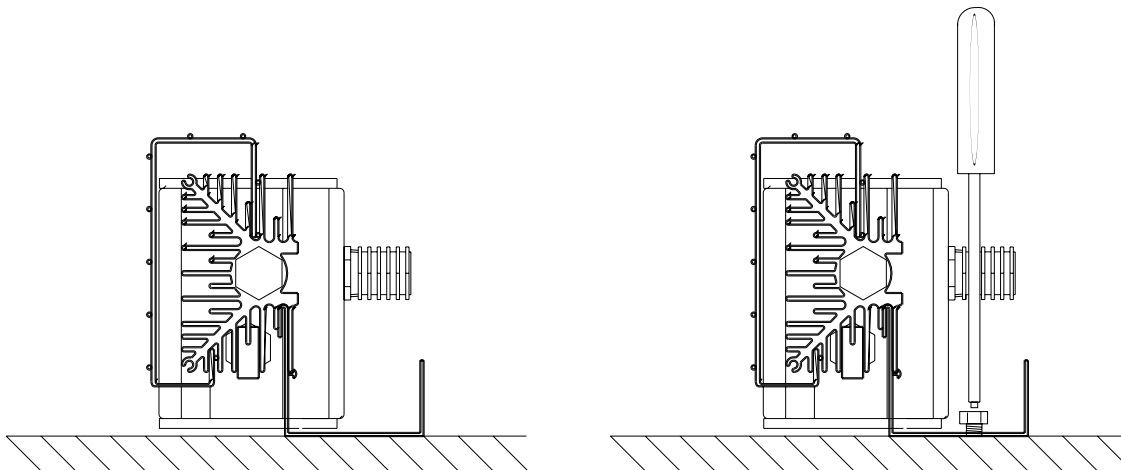
1. Use heater with mounting bracket installed as template and mark mounting holes on the wall.
2. Secure mounting bolts to the wall.
3. Mount heater on bolts with key hole slots.
4. Secure heater to wall by tightening mounting bolts.

FIGURE 3. XP Heater Installation- Wall Mounting

NOTE: Proper use of supplied mounting bracket(s) will ensure minimum distance of 2" (50mm) from wall.

2.4 FLOOR MOUNTING

Refer to Figure 4 when floor mounting the heater.



1. Place heater in desired mounting position ensuring not to violate any mounting distance stipulations as described in section 2.1 GENERAL INSTALLATION.
2. Secure heater in place with mounting bolts screws

FIGURE 4. XP Heater Installation - Floor Mounting

2.0 INSTALLATION Cont'd

2.5 WIRING

- 2.5.1 Whenever hazardous materials are present, ensure that the terminal housing covers are secure before powering the heater.
- 2.5.2 Use supply wires suitable for 105°C(221°F).
- 2.5.3 Use approved conduit and conduit seals as required by the code for hazardous locations.
- 2.5.4 To provide maximum protection, each XP heater should ideally be fused individually.
- 2.5.5 All heaters come factory prewired complete with non-adjustable factory set high limit and thermostat ready for direct connection to the power supply leads (see Figure 5).
 - (a) Connect the power leads to terminals marked L1 and L2.
 - (b) Connect the ground wire to the ground connection located in the heater terminal housing.
- 2.5.6 Replace terminal housing cover securely. Do not over-tighten.



FIGURE 5. Wiring Diagram - XP Convection Heater

3.0 START-UP

- 3.1 Install the terminal box cover.
 - 3.2 Check to ensure that all plugs, screws, and covers are securely in place.
 - 3.3 Check associated electrical equipment.
 - 3.4 Check that all wall/floor mounting bracket connections are tight.
 - 3.5 Turn on supply power.
-