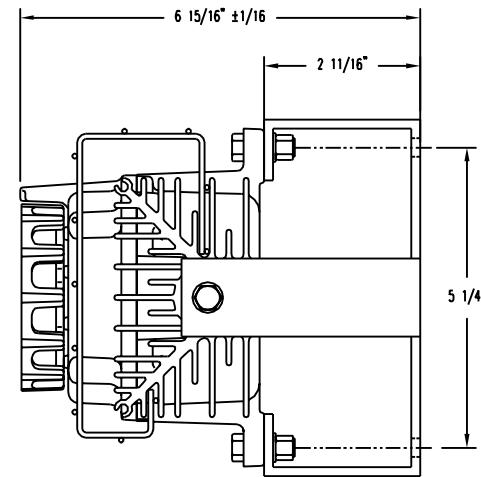
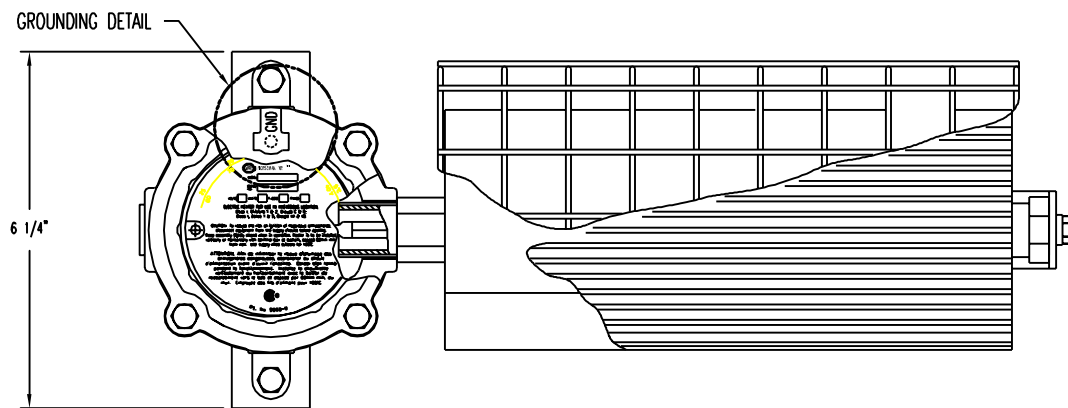


SIDE VIEW



TOP VIEW

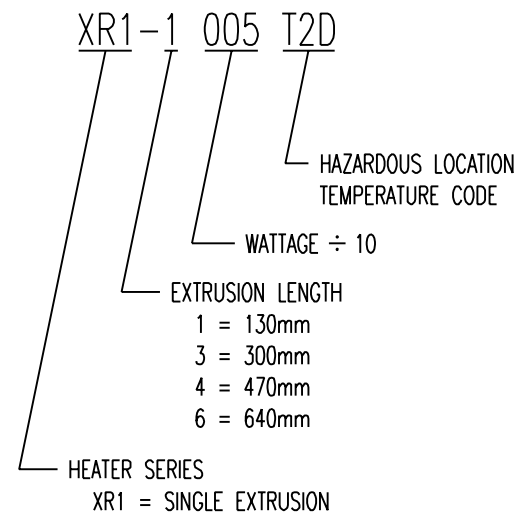


FRONT VIEW

STANDARD FEATURES

- suitable for Class I, Division 1,2, Groups C & D
- suitable for temperature codes T2D & T3B (see model #)
- high surface area black anodized heat emitter with integral tubular heating elements
- patented defender thermostat housing
- nickel plated wire guards on all models
- universal 11 Ga. stainless steel wall mounting brackets
- built-in externally adjustable bimetal thermostat


ITEM NO.	CATALOG NO.	VOLTS	PHASE	WATTS	HEATER SERIES	TEMP CODE	'L'	'M'



UNIT SUPPLIED AS CHECKED

SPECIFICATIONS FOR T2D & T3B UNITS - HAZARDOUS LOCATION RATING CLASS 1, DIVISION 1,2 GROUPS C & D

WATTS	VOLTS	PHASE	'L' DIM. mm(IN)	'M' DIM. mm(IN)	APPROX WEIGHT KG (LBS)	CATALOG NO.	BASIC UNIT
50	120	1	295 (11 5/8)	205 (8 1/16)	4.5 (10)	XR1-1005T2D	<input type="checkbox"/>
75	120	1	295 (11 5/8)	205 (8 1/16)	4.5 (10)	XR1-1007T3B	<input type="checkbox"/>
100	120	1	295 (11 5/8)	205 (8 1/16)	4.5 (10)	XR1-1010T2D	<input type="checkbox"/>
125	120	1	295 (11 5/8)	205 (8 1/16)	4.5 (10)	XR1-1012T2D	<input type="checkbox"/>
125	208	1	465 (18 5/16)	375 (14 3/4)	6.8 (15)	XR1-3012T3B	<input type="checkbox"/>
175	208	1	635 (25)	545 (21 7/16)	9.1 (20)	XR1-4017T3B	<input type="checkbox"/>
200	208	1	465 (18 5/16)	375 (14 3/4)	6.8 (15)	XR1-3020T2D	<input type="checkbox"/>
250	208	1	805 (31 11/16)	714 (28 1/8)	11.3 (25)	XR1-6025T3B	<input type="checkbox"/>
300	208	1	635 (25)	545 (21 7/16)	9.1 (20)	XR1-4030T2D	<input type="checkbox"/>
425	208	1	805 (31 11/16)	714 (28 1/8)	11.3 (25)	XR1-6042T2D	<input type="checkbox"/>

TITLE APPROVAL DATA SHEET XR EXPLOSION RESISTANT CONVECTION HEATER 50 TO 425 WATTS	
DWG B14705A	REV. 2
CUSTOMER	P.O.
PROJECT	
 Division CCI Thermal Technologies Inc.	