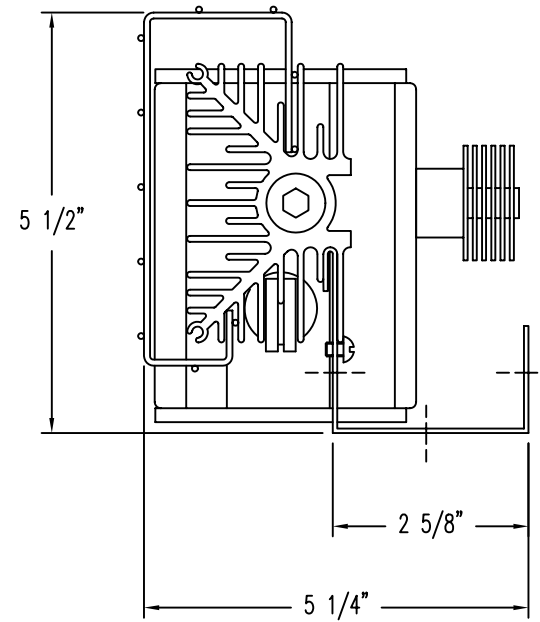
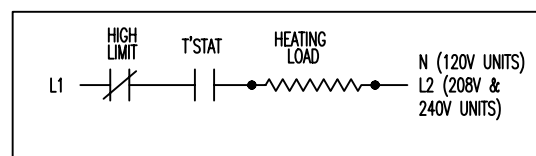


HEATER ASSEMBLY



STANDARD FEATURES

- suitable for Class I, Groups A, B, C & D or Class II, Groups A, B, C & D; Class III (depending on temperature code)
- suitable for temperature codes T2D or T3B (depending on unit specified)
- high surface area black anodized heat emitter with integral tubular heating elements
- patented *x-Max* housing with slide out terminal block trolley simplifies installation and servicing
- nickel plated wire guards on all models
- universal support leg for wall or floor mounting



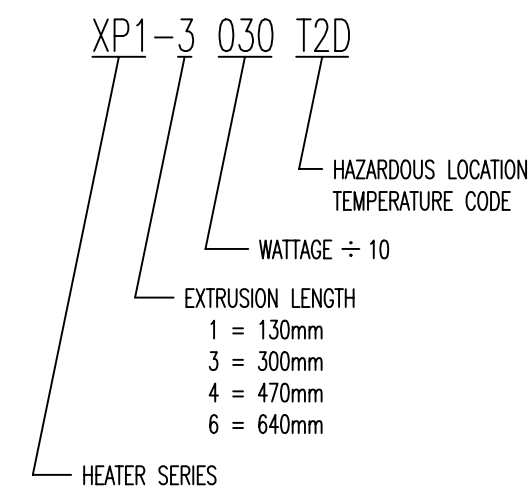
WIRING DIAGRAM


UNIT SUPPLIED AS CHECKED

TABLE 1 - SPECIFICATIONS FOR T2D OR T3B UNITS (Depending on unit specified)

WATTS	FIG. NO.	VOLTS	PHASE	'L' DIM. mm(IN)	'M' DIM. mm(IN)	APPROX WEIGHT KG (LBS)	CATALOG NO.	BASIC UNIT
50	1	120	1	264 (10.9)	-	2.4 (5.25)	XP1-1005T2D	<input type="checkbox"/>
75	1	120	1	264 (10.9)	-	2.4 (5.25)	XP1-1007T3B	<input type="checkbox"/>
100	1	120	1	264 (10.9)	-	2.4 (5.25)	XP1-1010T2D	<input type="checkbox"/>
125	1	120	1	264 (10.9)	-	2.4 (5.25)	XP1-1012T2D	<input type="checkbox"/>
150	1	120	1	264 (10.9)	-	2.4 (5.25)	XP1-1015T2D	<input type="checkbox"/>
200	1	120	1	434 (17.1)	268 (10.6)	3.1 (6.75)	XP1-3020T3B	<input type="checkbox"/>
	1	208	1				XP1-3020T3B	<input type="checkbox"/>
	1	240	1				XP1-3020T3B	<input type="checkbox"/>
300	1	120	1	604 (24.75)	438 (17.25)	3.7 (8.25)	XP1-4030T3B	<input type="checkbox"/>
	1	208	1				XP1-4030T3B	<input type="checkbox"/>
	1	240	1				XP1-4030T3B	<input type="checkbox"/>
300	1	120	1	434 (17.1)	268 (10.6)	3.1 (6.75)	XP1-3030T2D	<input type="checkbox"/>
	1	208	1				XP1-3030T2D	<input type="checkbox"/>
	1	240	1				XP1-3030T2D	<input type="checkbox"/>
375	1	120	1	772 (30.4)	608 (23.9)	4.4 (9.75)	XP1-6037T3B	<input type="checkbox"/>
	1	208	1				XP1-6037T3B	<input type="checkbox"/>
	1	240	1				XP1-6037T3B	<input type="checkbox"/>
400	1	120	1	604 (23.75)	438 (17.25)	3.7 (8.25)	XP1-4040T2D	<input type="checkbox"/>
	1	208	1				XP1-4040T2D	<input type="checkbox"/>
	1	240	1				XP1-4040T2D	<input type="checkbox"/>
550	1	120	1	772 (30.4)	608 (23.9)	4.4 (9.75)	XP1-6055T2D	<input type="checkbox"/>
	1	208	1				XP1-6055T2D	<input type="checkbox"/>
	1	240	1				XP1-6055T2D	<input type="checkbox"/>

ITEM NO.	CATALOG NO.	VOLTS	PHASE	WATTS	HEATER SERIES	TEMP CODE	'L'	'M'



TITLE: APPROVAL DATA SHEET XP EXPLOSION RESISTANT CONVECTION HEATER 50 TO 550 WATTS	
DWG.: C12364A	REV. 1
CUSTOMER	P.O.
CUSTOMER	
 CCI Thermal Technologies Inc. EDMONTON, ALBERTA	