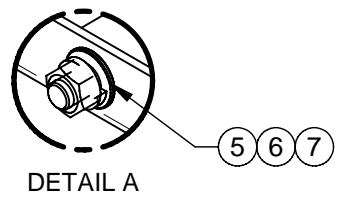
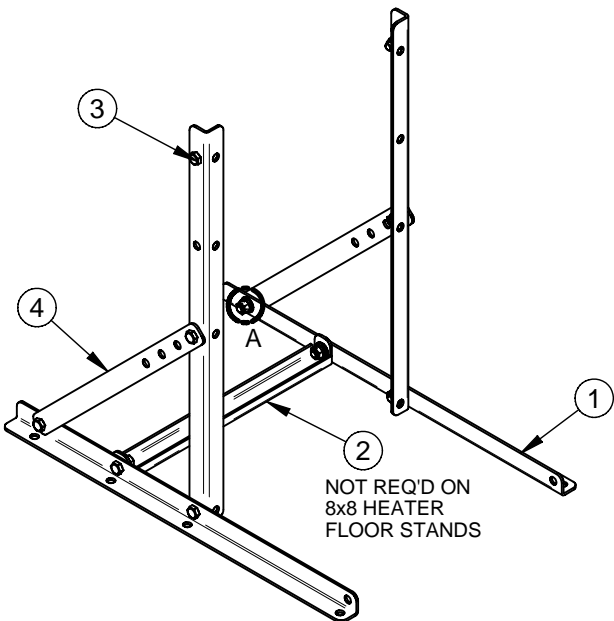
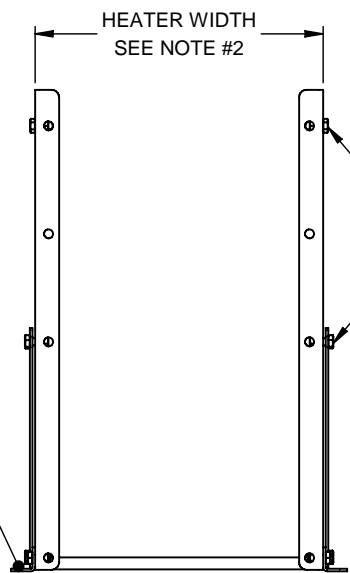


NO	DESCRIPTION	QTY
1	20" HORI. & VERT. SMALL FLOOR STAND ANGLE BRACKET	4
2	12" C SHAPED SMALL FLOOR STAND CROSS BRACE	1
3	BOLT 5/16-18UNC x 3/4LONG, HEXAGON HEAD	10
4	14" SMALL FLOOR STAND FLAT BRACKET	2
5	WASHER 5/16 S.A.E. PLATED	10
6	WASHER 5/16" SPLIT LOCK, PLATED	10
7	NUT 5/16-18 UNC HEXAGONAL	10

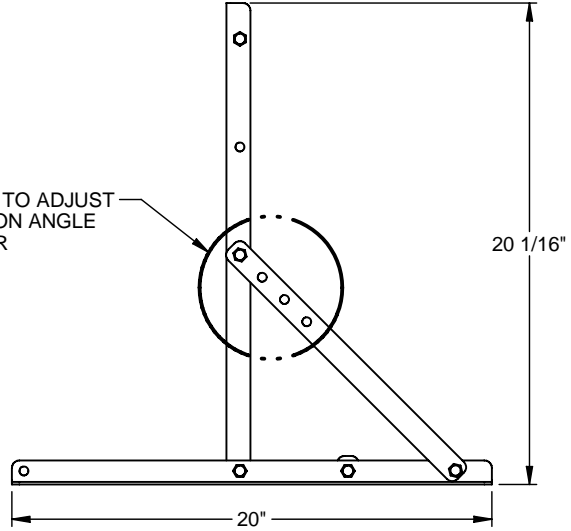


NOT REQ'D ON
8x8 HEATER
FLOOR STANDS

HOLES PERMIT TO ADJUST
THE PROJECTION ANGLE
OF THE HEATER




FRONT VIEW



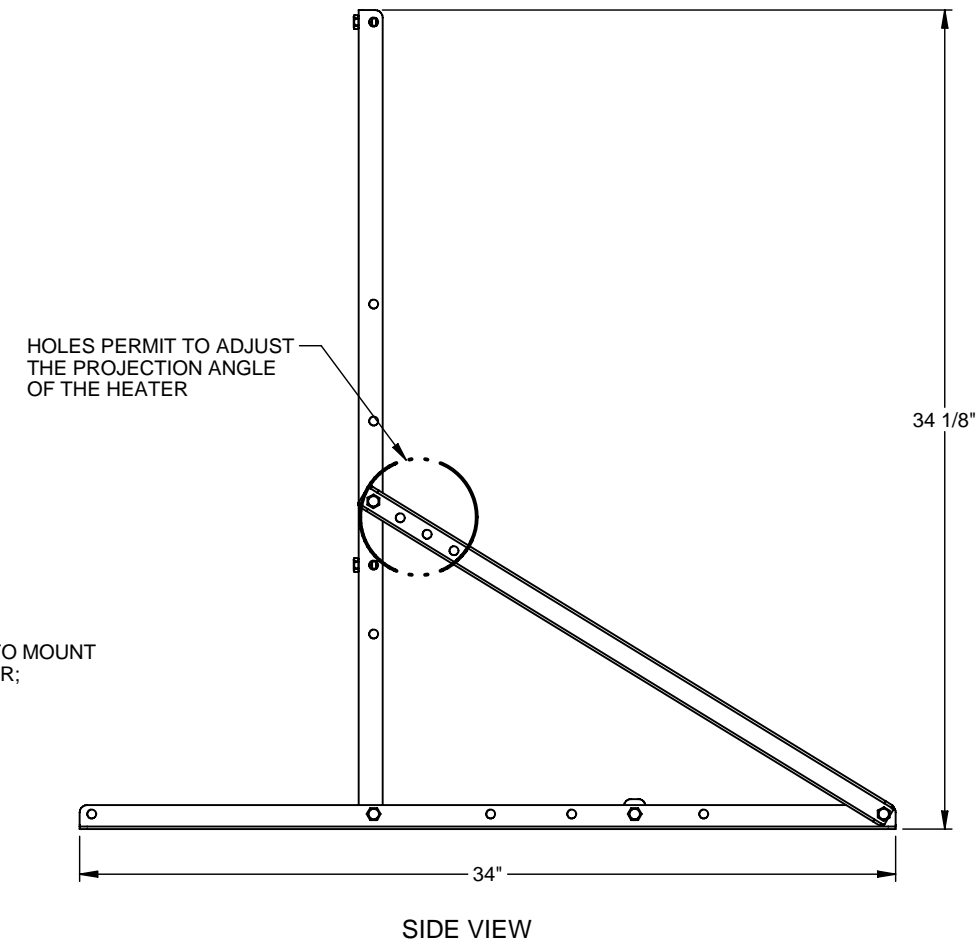
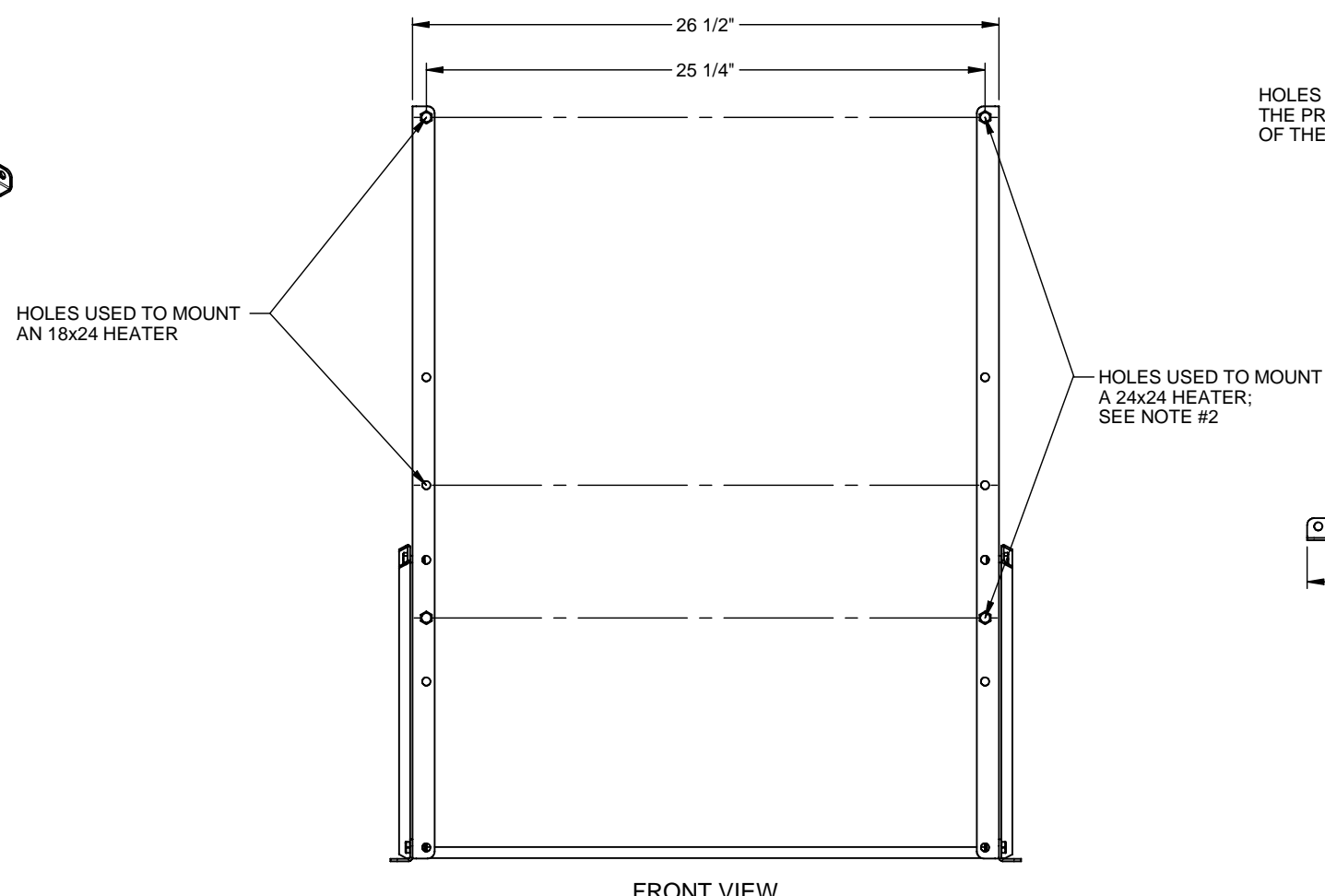
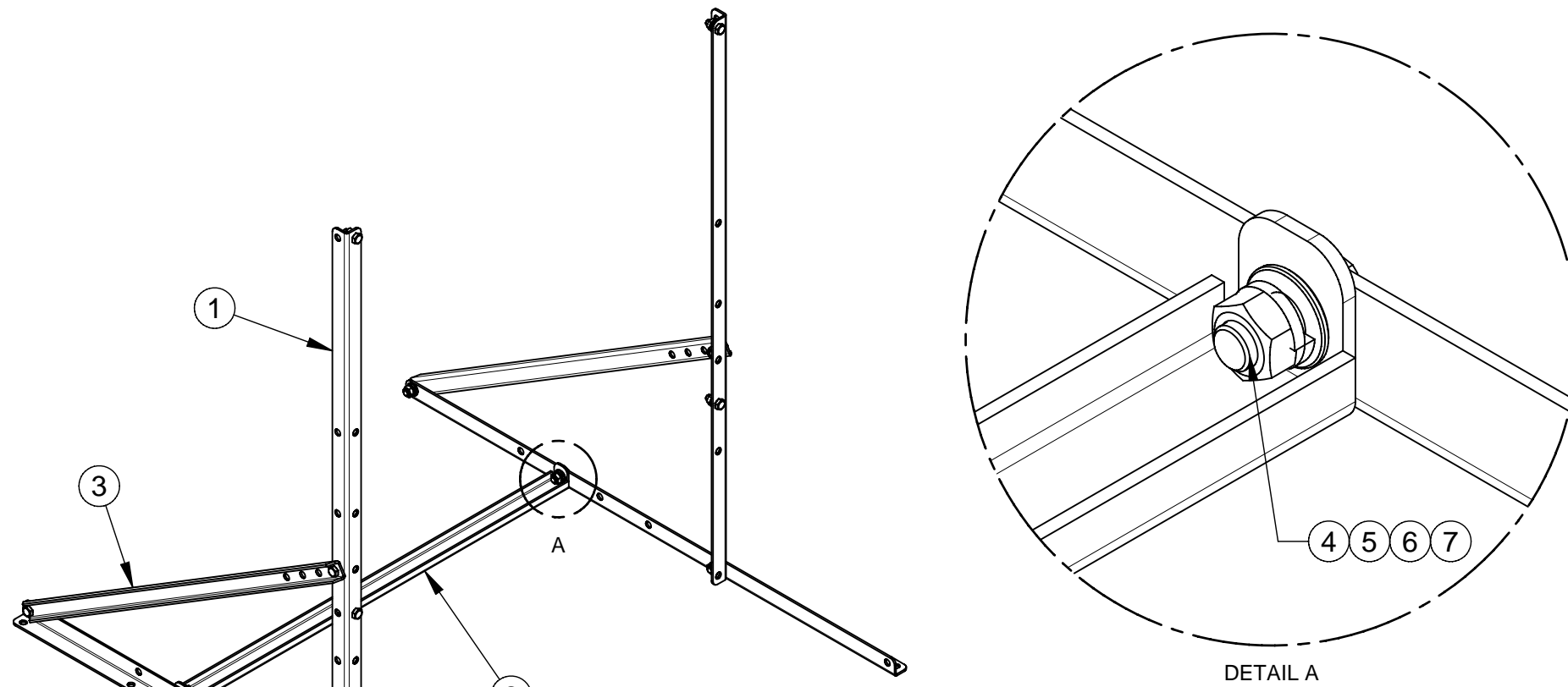
SIDE VIEW

NOTES:

- 1) ASSEMBLY REQUIRED.
- 2) ITEM #3 IS EITHER 12" OR 24" LONG DEPENDING ON HEATER ORDERED.
NOT USED FOR HEATERS UNDER 12" WIDE
- 3) ALL DIMENSIONS IN INCHES.

REV.	REVISION DESCRIPTION	DATE	BY												
TITLE: ASSEMBLY, SMALL FLOOR STAND															
DWG NO.: 01-04-0055 SHEET: 1 OF 1															
SYTLINE NO.: TBD															
SCALE: NTS															
DRN BY: damyotte		07 Mar 2005													
CHKD BY: NJS															
APPD. BY: MAN															
<table border="1"> <thead> <tr> <th colspan="4">TOLERANCE UNLESS NOTED OTHERWISE</th> </tr> <tr> <th>± 1/2°</th> <th>± 0.005"</th> <th>± 1/16"</th> <th>± mm</th> </tr> <tr> <th>ANGULAR</th> <th>DECIMAL</th> <th>FRACTIONAL</th> <th>METRIC</th> </tr> </thead> </table>				TOLERANCE UNLESS NOTED OTHERWISE				± 1/2°	± 0.005"	± 1/16"	± mm	ANGULAR	DECIMAL	FRACTIONAL	METRIC
TOLERANCE UNLESS NOTED OTHERWISE															
± 1/2°	± 0.005"	± 1/16"	± mm												
ANGULAR	DECIMAL	FRACTIONAL	METRIC												
 CCI Thermal Technologies Inc. EDMONTON, ALBERTA															

NO	DESCRIPTION	QTY
1	34" HORI. & VERT. LARGE FLOOR STAND ANGLE BRACKET	4
2	26 1/2" C SHAPED LARGE FLOOR STAND CROSS BRACE	1
3	26" LARGE FLOOR STAND SUPPORT BRACKET	2
4	BOLT 5/16-18UNC x 3/4LONG, HEXAGON HEAD	12
5	WASHER 5/16 S.A.E. PLATED	12
6	WASHER 5/16" SPLIT LOCK, PLATED	12
7	NUT 5/16-18 UNC HEXAGONAL	12



- NOTES:
- 1) ASSEMBLY REQUIRED.
 - 2) 24x24 HEATER IS TO BE MOUNTED SO THAT THE SIDE OF THE HEATER (CATA-DYNE™ LOGO) IS FACING UP.
 - 3) ALL DIMENSIONS IN INCHES.

REV.	REVISION DESCRIPTION	DATE	BY
TITLE: ASSEMBLY, LARGE FLOOR STAND			
DWG NO.: 01-04-0060 SHEET: 1 OF 1		TOLERANCE UNLESS NOTED OTHERWISE	
SYTLINE NO.: TBD		± 1/2°	± 0.005"
SCALE: NTS		± 1/16"	± mm
DRN BY: nsanchez		08 Mar 2005	
CHK'D BY: NJS			
APP'D. BY: MAN			

